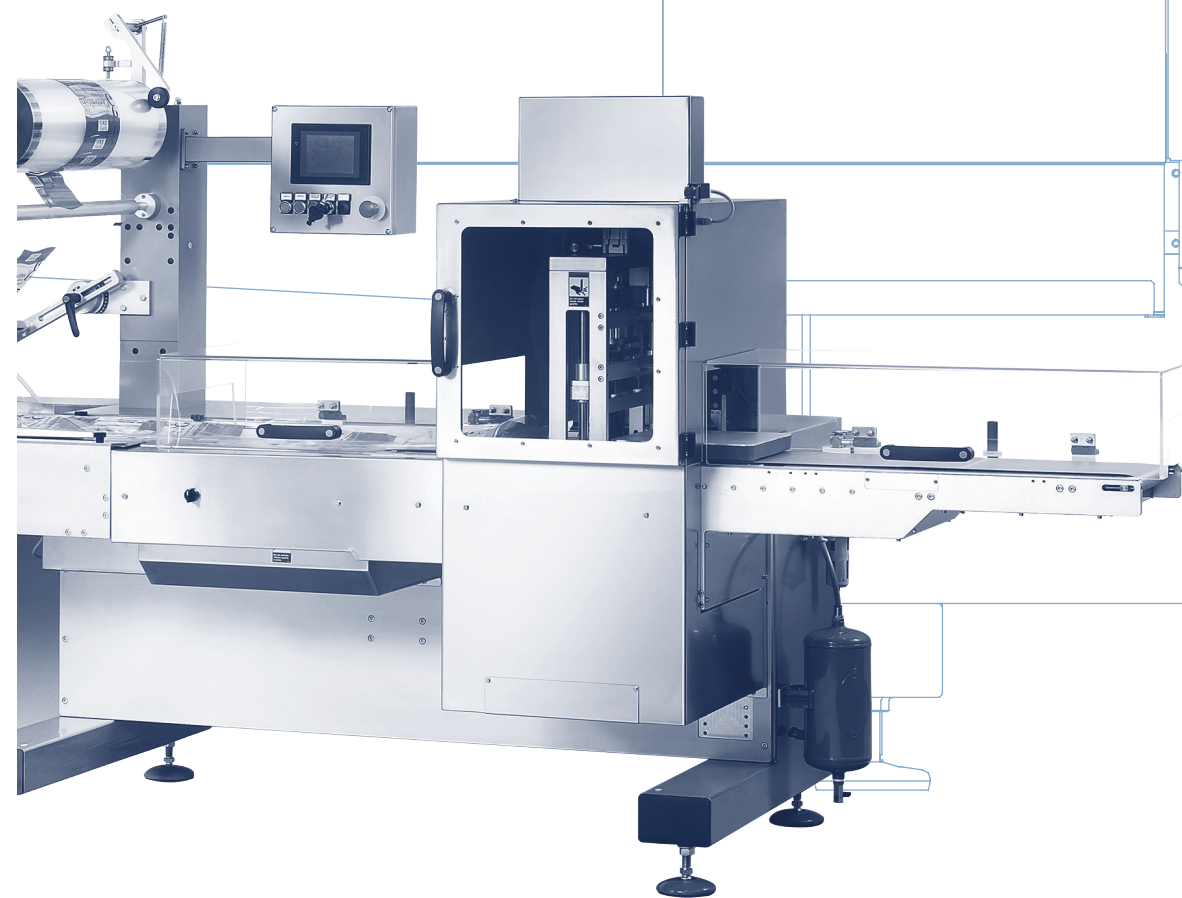
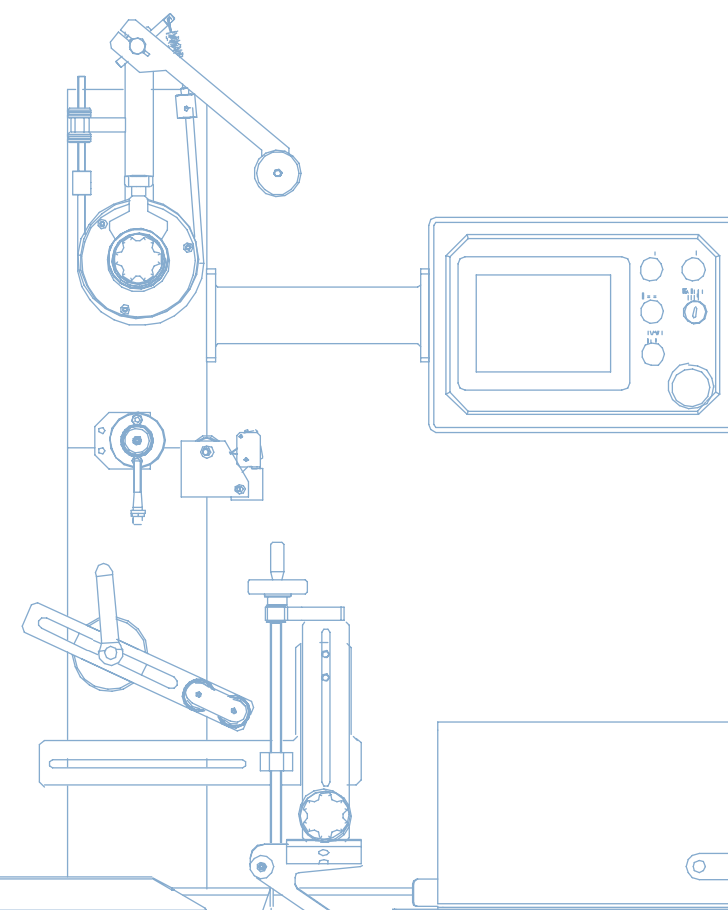




**Horizontal
flow pack**



VELLA

MADE IN ITALY



Delfin srl
Via G. Keplero, 18
36034 Malo, VI - Italy

+39 0445 58 06 88
info@delfin.it
www.delfin.it



Flow pack VELA



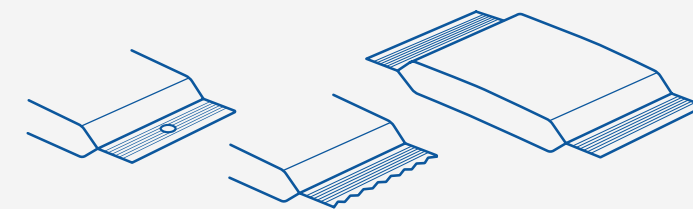
Standard reel holder
600 mm wide

7" color touch screen

Infeed loading
conveyor
2600 mm long

Outfeed conveyor
1000 mm long

- RAL 9006 grey painted steel frame with AISI 304 stainless steel guards;
- Longitudinal sealing unit consisting of 3 pairs of wheels: pulling and welding;
- Transversal sealing unit with "box-motion" movement and PNEUMATIC closing of 300 mm wide jaws;
- One self reel holder centering in upper position;
- Microswitch for end of film;
- Adjustable or fixed forming box;
- Photocell for printed film;
- Standard spare parts kit;
- Safety guards in transparent shockproof plastic material.



← Type of packaging

Product length	min 50 mm	max 1200 mm
Product width	min 10 mm	max 280 mm
Product height	min 1 mm	max 120 mm
Reel holder width	max 600 mm on demand 700 mm	
Mechanical speed	min 10	max 45
Weight	890 kg	
Power supply	5 Kw	

- Motorization by means of **3 independent Brushless motors**
- Mechanical speed** 45 rpm
- Voltage** 400V / 3 phase Earth + Neutral, 50Hz
- Machine conforms to CE regulations

