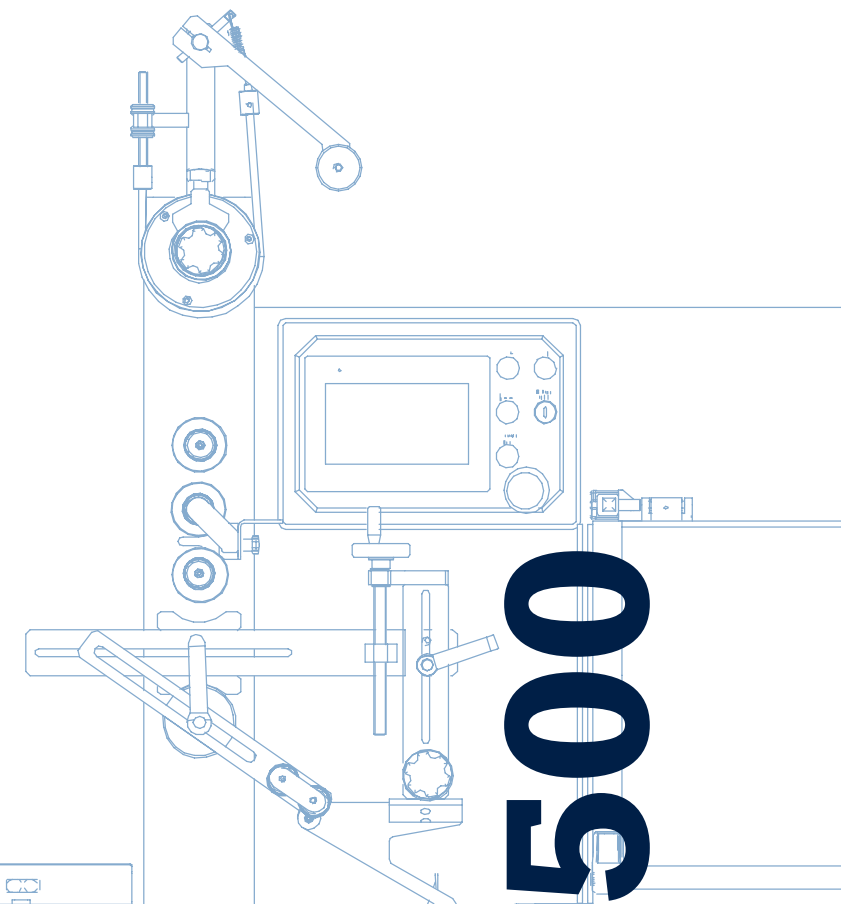
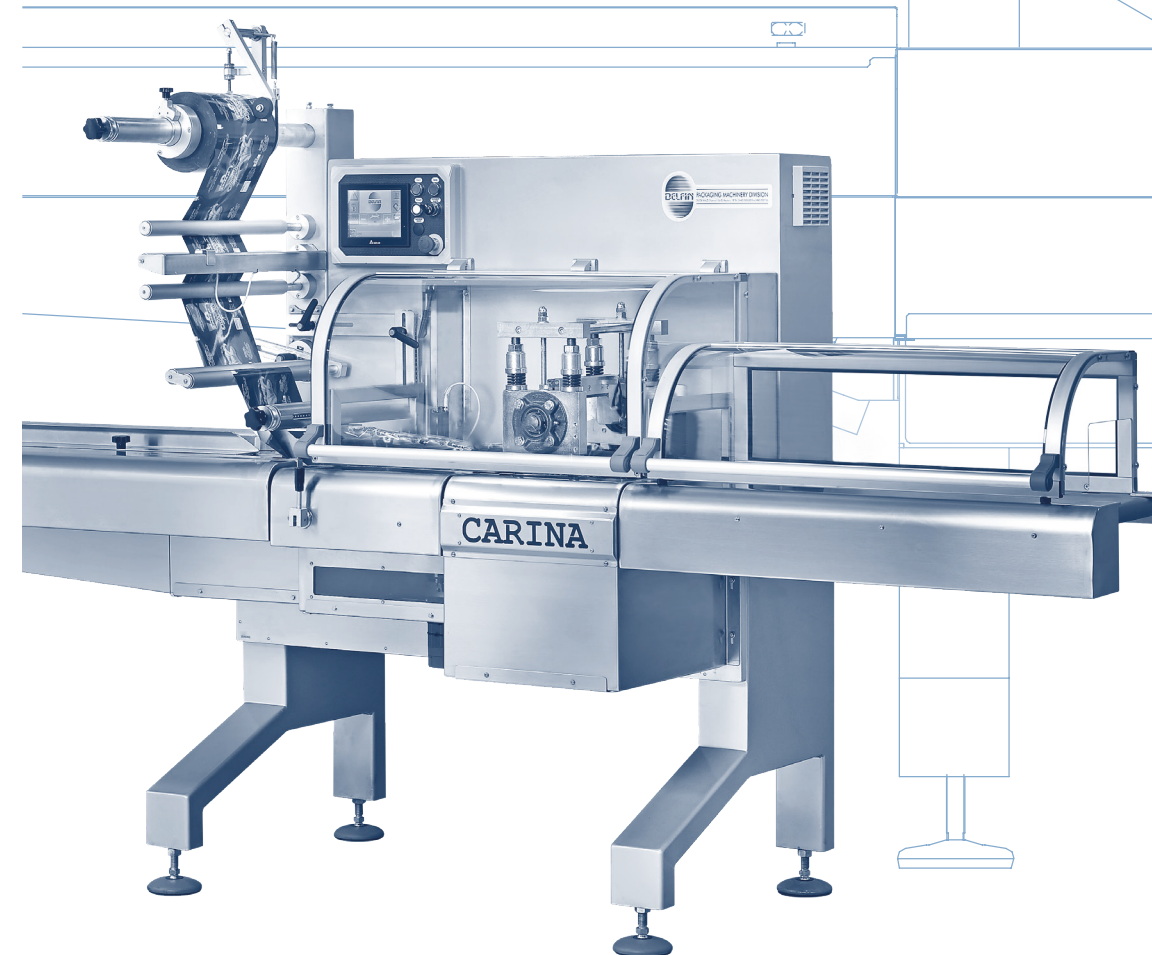
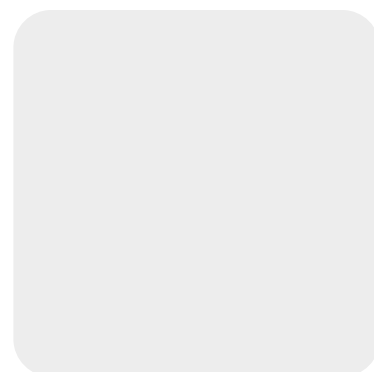
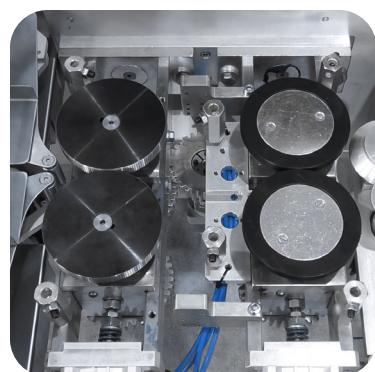
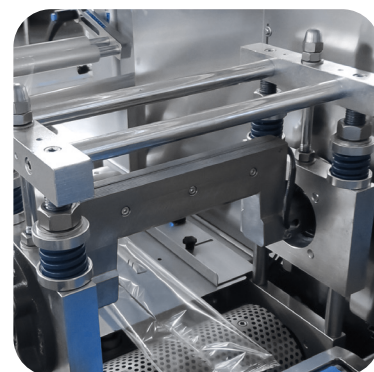
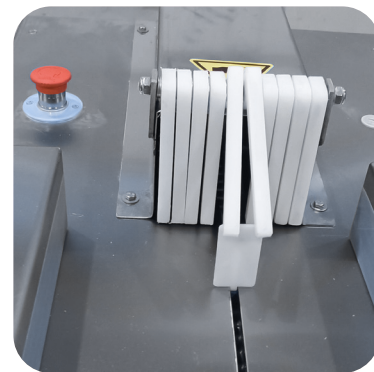
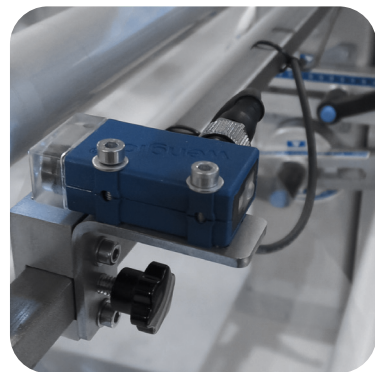
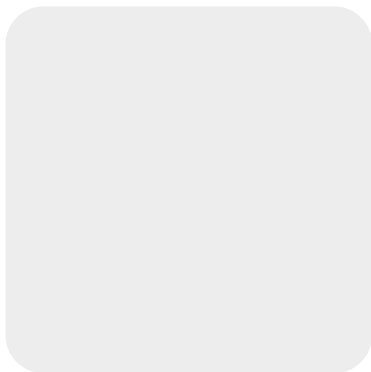
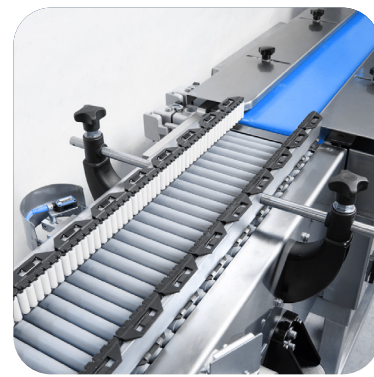
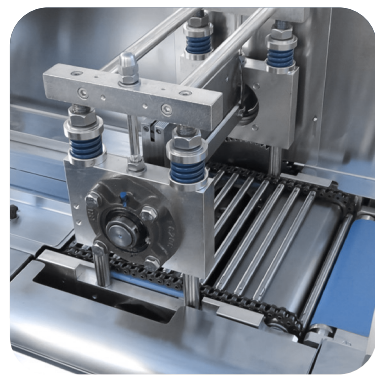
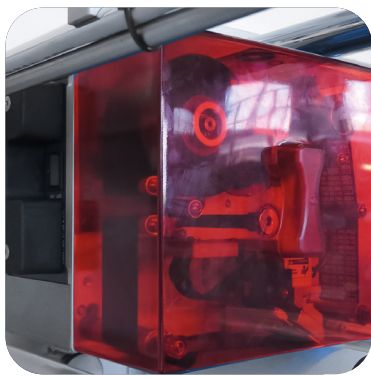




Horizontal
flow pack



CARINA 500



Delfin srl
Via G. Keplero, 18
36034 Malo, VI - Italy

+39 0445 58 06 88
info@delfin.it
www.delfin.it



Flow pack CARINA 500



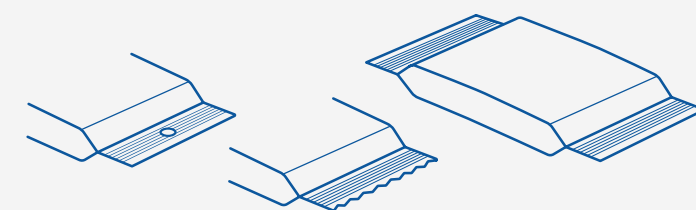
Standard reel holder
500 mm wide

7" color touch screen

Infeed loading conveyor
2600 mm long

Outfeed conveyor
1000 mm long

- RAL 9006 grey painted steel frame with AISI 304 stainless steel guards;
- Longitudinal sealing unit consisting of three pairs of wheels: pulling, sealing and flap folding. Pneumatic opening of welding wheels;
- Rotary transversal sealing unit with one or multiple 240 mm wide up jaws;
- One self-centring reel holder;
- Adjustable or fixed forming box;
- Photocell for printed film;
- Photocell for "No Product - No Bag";
- Standard spare parts kit;
- Safety guards in transparent shockproof plastic material.



← Type of packaging

Products length	min 50 mm	max 600 mm
Product width	min 10 mm	max 220 mm
Product height	min 1 mm	max 120 mm
Reel holder width	max 500 mm on demand 550 mm	
Mechanical speed	max 200	
Weight	610 kg	
Power supply	4 Kw	

- ⚙️ Motorization by means of 3 independent Brushless motors
- ⌚ Mechanical speed 200 rpm
- ⚡ Voltage 400V / 3 phase Earth + Neutral, 50Hz
- CE Machine conforms to CE regulations

