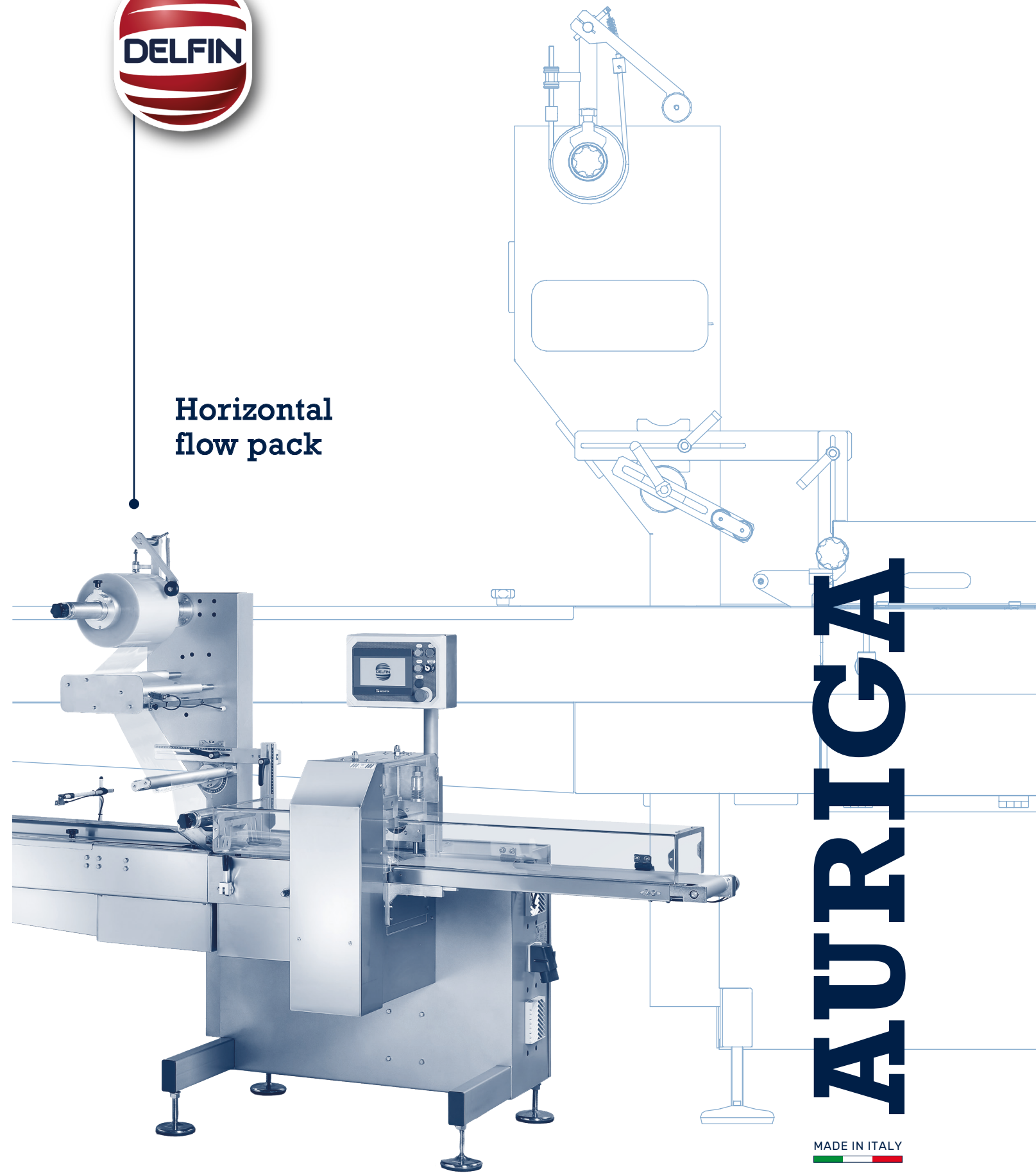


Horizontal
flow pack



AURIGA

MADE IN ITALY



Delfin srl
Via G. Keplero, 18
36034 Malo, VI - Italy

+39 0445 58 06 88
info@delfin.it
www.delfin.it



Flow pack AURIGA



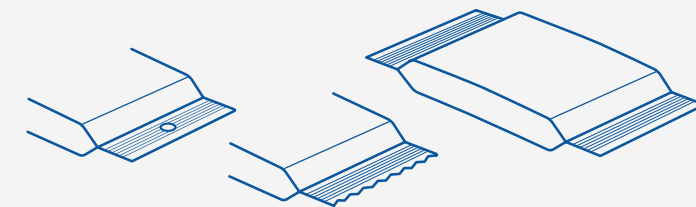
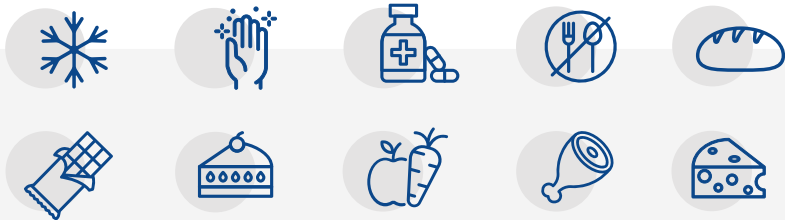
Standard reel holder
500 mm wide

7" color touch
screen

Infeed loading
conveyor
2100 mm long

Outfeed conveyor
1000 mm long

- RAL 9006 grey painted steel frame with AISI 304 stainless steel guards;
- Longitudinal sealing unit consisting of two pairs of wheels: driving and sealing;
- Rotary transversal sealing unit with one or multiple 240 mm wide up jaws;
- One self reel holder centering;
- Adjustable or fixed forming box;
- Photocell for printed film;
- Standard spare parts kit;
- Safety guards in transparent shockproof plastic material.



← Type of packaging

Product length	min 50 mm	max 520 mm
Product width	min 10 mm	max 220 mm
Product height	min 1 mm	max 100 mm
Reel holder width	500 mm	
Mechanical speed	min 60	max 120
Weight	550 kg	
Power supply	3,5 Kw	

- Motorization by means of 3 independent Brushless motors
- Mechanical speed 120 rpm
- Voltage 400V / 3 phase Earth + Neutral, 50Hz
- Machine conforms to CE regulations

